

**CST – Finishing, Fitting and  
Wood Treatment**

**T016**

**Friday, 23/11/2018**

**08:30 – 11:30 AM**

**WORKFORCE DEVELOPMENT AUTHORITY**



**P.O. BOX 2707 Kigali, Rwanda Tel: (+250) 255113365**

---

**ADVANCED LEVEL NATIONAL EXAMINATIONS, 2018,  
TECHNICAL AND PROFESSIONAL STUDIES**

**EXAM TITLE:**

**FINISHING, FITTING AND WOOD TREATMENT**

**OPTION: Construction (CST)**

**DURATION: 3hours**

**INSTRUCTIONS:**

The paper is composed of **three (3) main Sections** as follows:

**Section I: Twelve (12) compulsory questions. 55 marks**

**Section II: Attempt any three (3) out of five questions. 30 marks**

**Section III: Attempt any one (1) out of two questions. 15 marks**

**Note:**

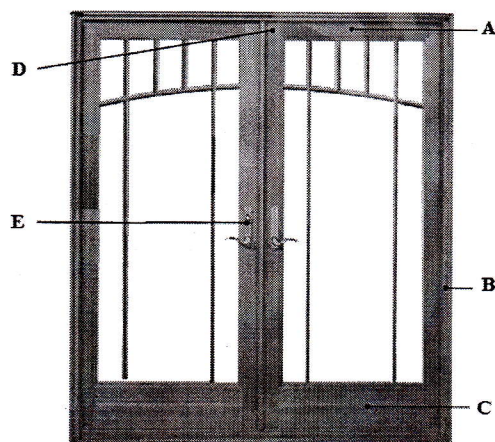
***Every candidate is required to carefully comply with the above instructions. Penalty measures will be applied on their strict consideration.***

**Section I. Twelve (12) Compulsory questions****55 marks**

01. Enumerate any four types of blocks. **(4 marks)**
02. Enumerate three categories of defects in major timber categories. **(3 marks)**
03. Mention any 6 functional purposes of having a window on a house. **(6 marks)**
04. Saws are hand tools categorized into three major types.  
Mention them and state one example from each. **(6 marks)**
05. Differentiate plastering from rendering. **(3 marks)**
06. Mention any four objects of plastering. **(4 marks)**
07. Enumerate any seven steps involved in road paving. **(5 marks)**
08. List any six requirements of a good plaster. **(6 marks)**
09. List any five criteria from which the selection of plastering mortar types depends on. **(5 marks)**
10. List any three types of mortar used in plastering. **(3 marks)**
11. Explain the following terminologies as used in plastering works:
  - i) Cracking
  - ii) Grazing
  - iii) Back ground
  - iv) Hacking**(6 marks)**
12. Explain two methods of plastering. **(4 marks)**

**Section II. Choose and answer any three (3) questions.****30 marks**

13. a. Doors are useful in our buildings/houses. By referring to the below figure mention the name of the numbered parts.



- b. The natural/air seasoning is very useful in some countries, mention at list it five disadvantages. **(10 marks)**

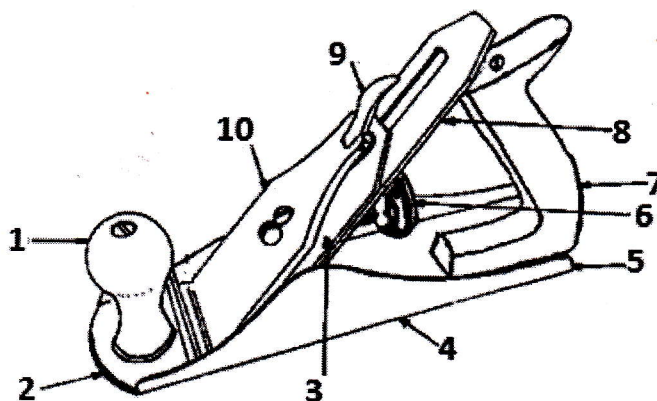
14. a. The good appearance of the wall depends on its finishing; enumerate four aspects that the background over which plaster is to be done, depend upon.  
 b. Windows are classified according to their construction manner, operation movements, their location, their fixing, materials in their construction, etc. Enumerate at least six classifications. **(10 marks)**
15. a. The installation of sanitary appliances in a house/building will increase the life standards of occupants, mention five requirements of a good water closet.  
 b. During the completion of drainage works, a manhole is of a considerable importance; what can be used for? **(10 marks)**
16. The steel is used to manufacture different tools and materials, especially on doors fabrication; mention at least five advantages of steel windows. **(10 marks)**

---

**Section III. Choose and answer any one (1) question. 15 marks**

---

17. Below is the metal smoothing plane graph, name each of its parts as shown. **(15 marks)**



18. Name and describe five (5) forms of thermal insulation materials currently available. **(15 marks)**



19. Two common types of drilling machines are shown below. Name both types and their respective parts.

(15 marks)

